

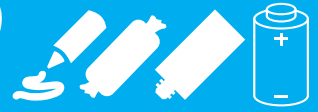


Quality Sealant Applicators

## TECHNICAL DATASHEET

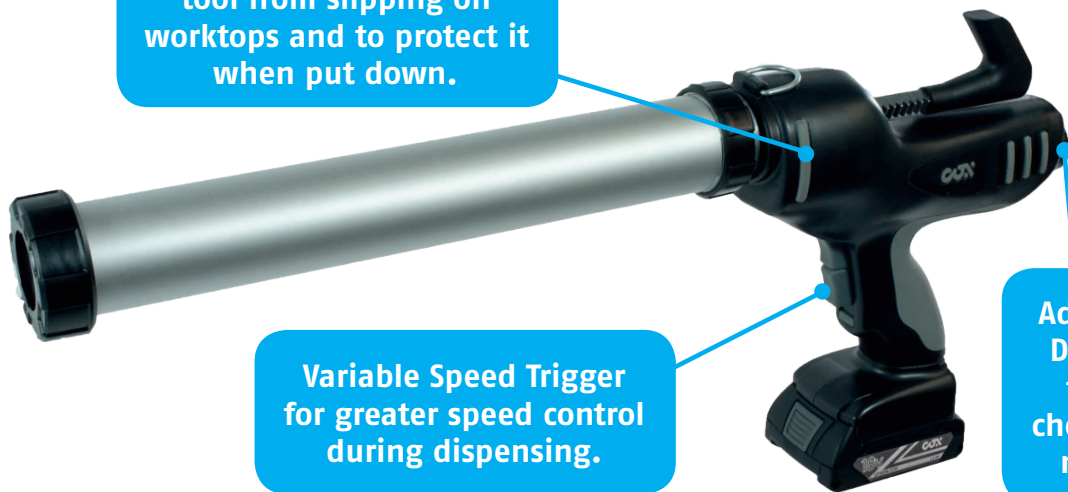
# Model 83600 – Bradford 600

SAUSAGE 600ml (20 oz) & CARTRIDGE 310ml (10.3 oz)



A single component battery powered bead applicator for sachets and cartridges

Rubber rest pads to prevent tool from slipping off worktops and to protect it when put down.



Variable Speed Trigger for greater speed control during dispensing.

Adjustable Speed Dial from 1(low) to 9(high) for choosing speed of material flow.

### PRODUCT FEATURES:

- Adjustable Speed Dial from 1(low) to 9(high) for choosing speed of material flow.
- Variable Speed Trigger for greater speed control during dispensing. Very useful for inexperienced operators.
- Maximum rack speed of 18.9 in/min which gives higher material output.
- Sophisticated tool control to protect mechanical parts and tool electronics under high load conditions (787 lbs).
- Rubber overmouldings for improved grip and comfort.
- Rubber rest pads to prevent tool from slipping off worktops and to protect it when put down.
- Auto-reverse function to stop material flow when trigger is released.
- Rapid battery charge; within 30mins (0-100%).
- Universal charger for worldwide use.
- Rotating aluminium barrel that accommodates both sachets and cartridges. Easy to handle in tight spaces.
- Overload shut off function to prevent damage of the tool.
- Curved rod (ladder hook) for convenient tool storage.

The **Bradford 600** is part of a range of high-powered battery powered applicators. Designed for use with medium to high viscosity sealants and adhesives, the **Bradford 600** is ideal for professional and specialist trade users.

For more information call (800) 822-8114  
email [sales@cox-applicators.com](mailto:sales@cox-applicators.com)  
Or visit [www.cox-applicators.com](http://www.cox-applicators.com)



Quality Sealant Applicators



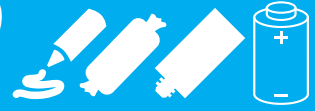


Quality Sealant Applicators

# TECHNICAL DATASHEET

## Model 83600 – Bradford 600

**SAUSAGE 600ml (20 oz) & CARTRIDGE 310ml (10.3 oz)**



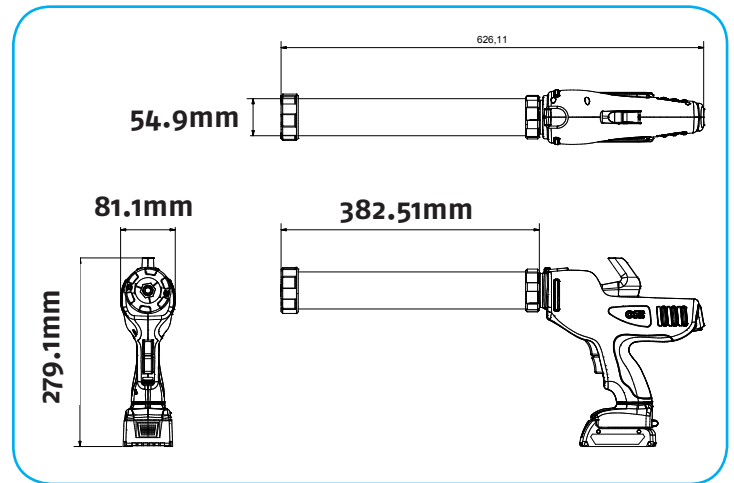
A single component battery powered bead applicator for cartridges

### APPLICATIONS:

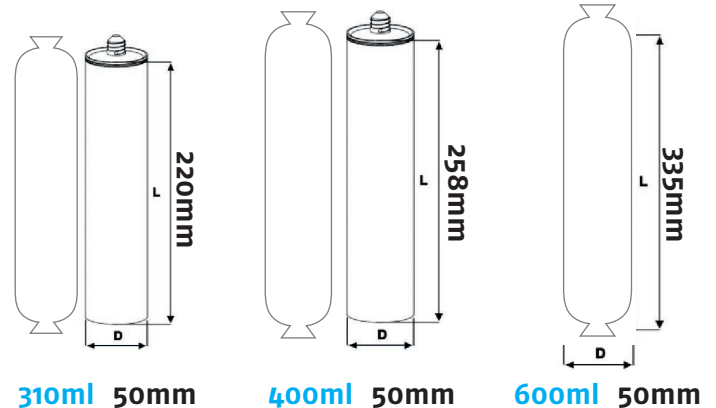
- For medium to high viscosity
- Cartridge/sachet: 1-component
- Cartridge volumes: 310ml & 400ml
- Sachet volumes: 310ml, 400ml & 600ml

### SPECIFICATIONS:

- Voltage: 18v
- Battery Capacity (Ahr): 1.5 & 3.0
- Battery Charge Time: 30 minutes
- Battery Type: Li Ion
- Barrel Length: 382.51mm
- Max Force (Plunger): 787 lbs
- Tool Weight: 5.60 lbs (with 1.5Ah battery)
- Tool Material: Epoxy coated steel frame, anodised aluminium barrel
- Certificates: CE; IEC60335; UL, ISO, REACH
- Packaging Options: 1 per carton



### CARTRIDGES/SACHETS:



### WEB LINKS:

- Images  
[www.cox-applicators.com/media-materials](http://www.cox-applicators.com/media-materials)
- Academy video  
[www.pccox.co.uk/en/cox-academy](http://www.pccox.co.uk/en/cox-academy)
- Spare parts diagram  
[www.cox-applicators.com/parts-service/schematics](http://www.cox-applicators.com/parts-service/schematics)

### OTHER MODELS AVAILABLE:

- Bradford Quart
- Bradford 300
- Bradford 600 Bulk
- 18V Dual Component

### PRODUCT RANGE BY POWER



COX North America, Inc.  
 8181 Coleman Road • Haslett, Michigan 48840 USA  
 (800) 822-8114 • (517) 339-3330 • FAX (517) 339-3806  
[www.cox-applicators.com](http://www.cox-applicators.com) • [sales@cox-applicators.com](mailto:sales@cox-applicators.com)

©COX North America, Inc. 2016

Every effort has been made to ensure that the information contained in this manual was correct at the time of going to press. However, the company retains the right to change any specification without notice, in line with the company's policy of continual product development. Schematics are available on-line at our website [www.cox-applicators.com](http://www.cox-applicators.com)

V16.03.01



Quality Sealant Applicators

