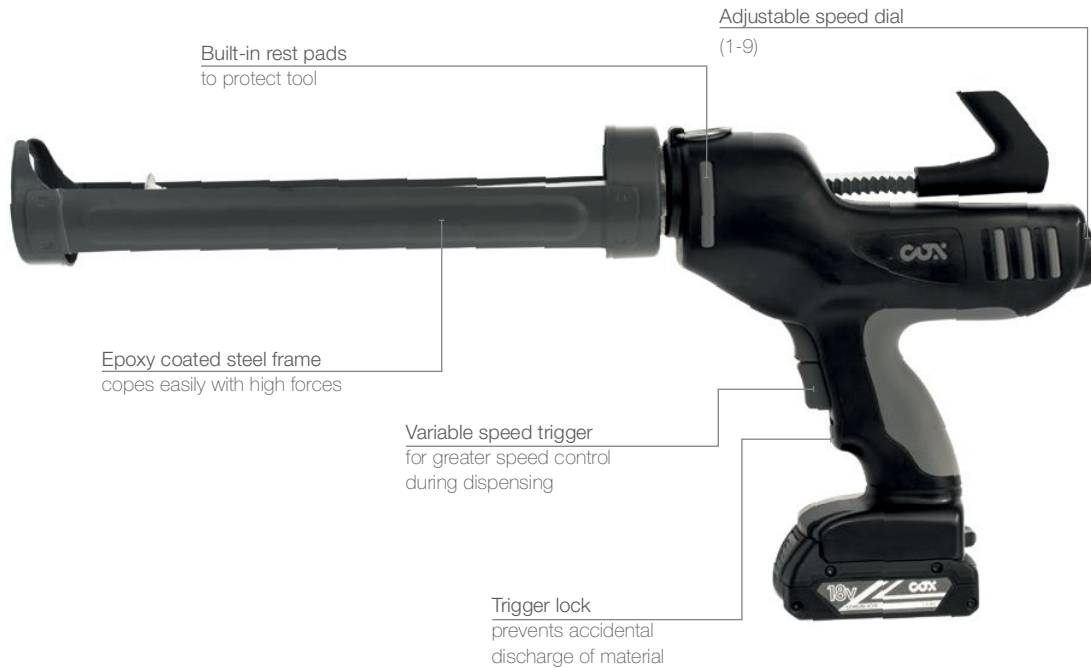




COX™ 1-Component Dispenser

ElectraFlow™ Plus Quart

A 1-component battery powered bead dispenser for US 946mL cartridges.



Model shown: ElectraFlow Plus Quart 946mL

Product advantages

- Trigger lock prevents accidental discharge of material
- Variable speed trigger for greater speed control during dispensing
- Epoxy coated steel frame that copes easily with high forces
- Adjustable speed dial (1-9)

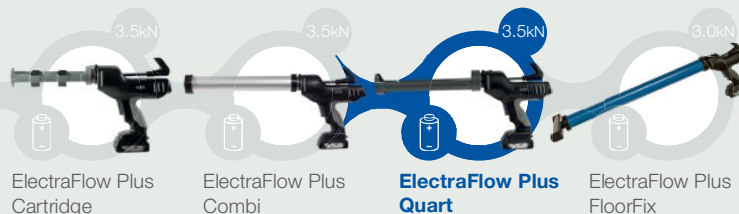
Customer benefits

- Overload shut off function prevents damage to the tool and material container
- Rapid battery charge within 30mins (0-100%)
- Auto-reverse function stops material flow when trigger is released
- Maximum rack speed of 8.0mm/sec gives higher material output

Applications



Product by range

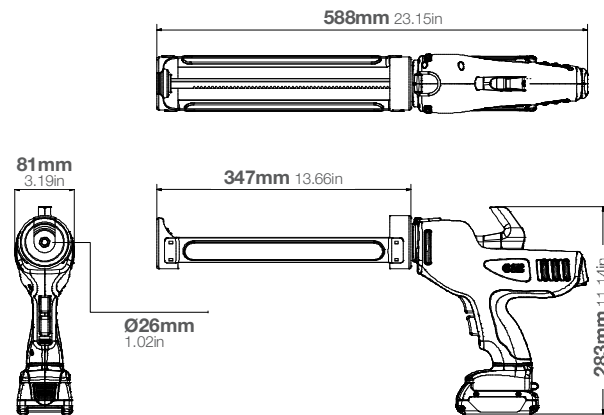


The **COX ElectraFlow Plus Quart** is a heavy duty 18V lithium-ion battery powered dispenser. Designed for use with medium-high viscosity sealants and adhesives.

Specifications

- Weight with Battery: 2.65kg / 5.8lbs
- Frame Length: 347mm / 13.66in
- Maximum Thrust: 3.5kN
- Voltage: 18V
- Battery Capacity: 1.5Ah
- Battery Charge Time: 30 min.
- Battery Type: Li-ion
- Handle Material: PC/ABS
- Frame Material: Epoxy Coated Steel
- Tool Component Approvals: CE, REACH, RoHS
- Cartridge Capacity: 946mL (32oz)
- Standard Color: Black/Grey
- Nozzle Dimension: $\varnothing 26\text{mm}$ / 1.02in
- Customized versions on demand

Dimensions



Sulzer | 1-Component COX Dispenser | 51

Part number:

Quart 946

Article number:

EH8001 (83029 for US)

Packaging:

1 per box or carry case

Matching MIXPAC™ cartridges

Compatible cartridges



946mL Plastic Cartridge

	mm	inch
a	320.0	12.6
b	$\varnothing 67.0$	$\varnothing 2.64$

Conversion kits

Matching accessories

Universal battery charger / Battery on pages 90-95.