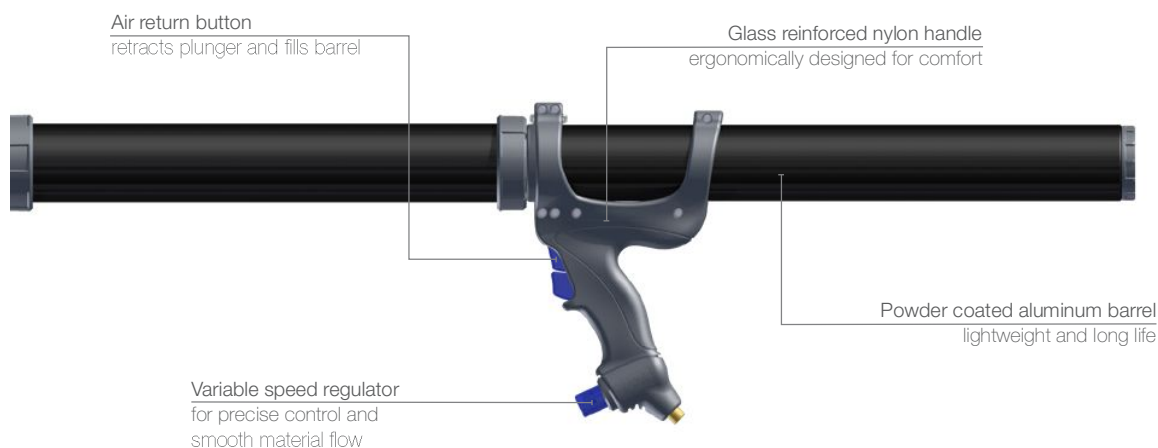




COX™ 1-Component Dispenser

AirFlow™ 3 Bulk

A 1-component pneumatic bead dispenser for 1300mL bulk material.



Regulators

- **Standard: 6.8bar (100psi)** ●
- Options available:
 - 3.4bar (50psi) ●
 - 5.2bar (75psi) ●
 - 8.5bar (125psi) ○

Model shown: AirFlow 3 Bulk 1300mL

Product advantages

- Glass reinforced nylon handle, for comfort and ease of use
- Variable speed regulator for precise control and smooth material flow
- Powder coated aluminum barrel, lightweight and long life
- Fitted as standard with a 6.8bar (100psi) regulator (others available)
- Air return button retracts plunger and fills barrel

Customer benefits

- Built-in air hose for safety
- Air return button to retract plunger and fill barrel
- Built-in silencer (less than 70dB)
- Piston driven rod action
- Ergonomically designed handle for comfort

Applications



Product by range

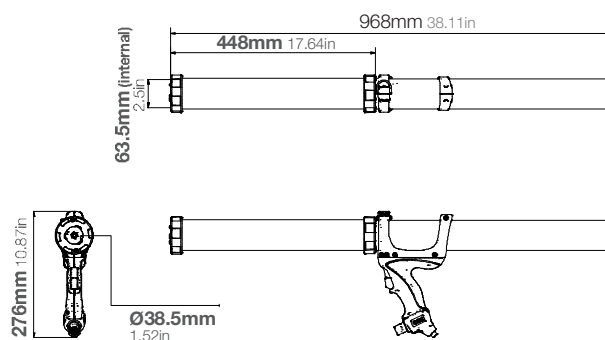


The **COX AirFlow 3 Bulk** is part of a range of pneumatic dispensers. Designed for use with low to medium viscosity sealants and adhesives.

Specifications

- Weight: 0.86kg / 1.9lbs
- Barrel Length: 448mm / 17.64in
- Maximum Thrust: 2.1kN
- Maximum Pneumatic Pressure: 6.8bar (100psi)
- Handle Material: Glass Filled Nylon
- Barrel Material: Powder Coated Aluminum
- Bulk Material Feed: 1300mL (44oz)
- Tool Component Approvals: CE, REACH
- Standard Color: Black/Grey
- Nozzle Dimension: $\varnothing 38.5\text{mm}$ / 1.52in
- Customized versions on demand

Dimensions



Part number:

Bulk 1300

Article number:

AU250U (63009-1400 for US)

Packaging:

1 per Box

Matching MIXPAC™ cartridges

-

Compatible cartridges

-

Conversion kits

-

Matching accessories

Nozzles - on pages 90-95.