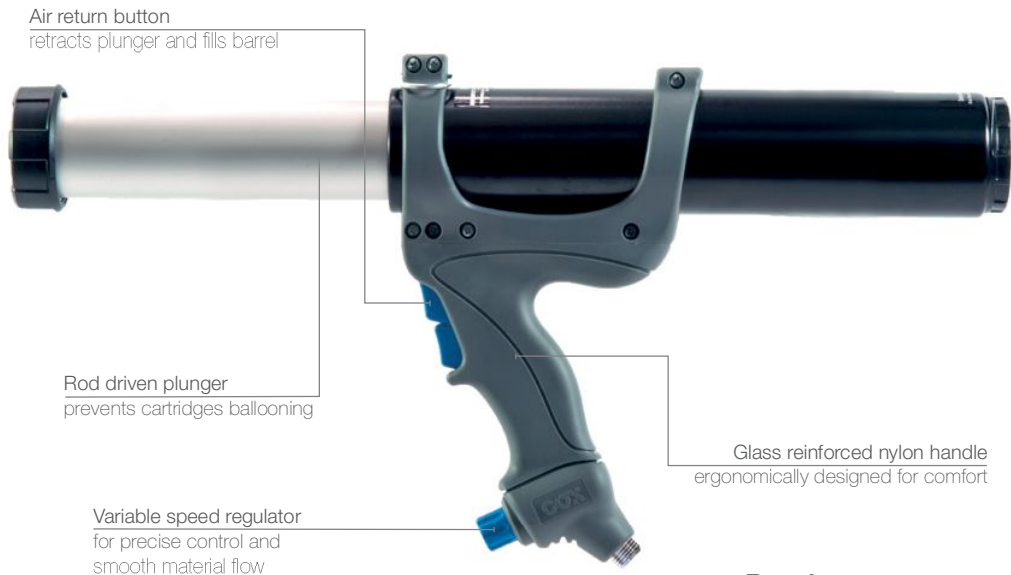




# COX™ 1-Component Dispenser

## AirFlow™ 3 HP Combi

A 1-component pneumatic bead dispenser for 310/400mL cartridges and 310/400/600mL sachets.



### Regulators

- **Standard: 6.8bar (100psi)** ●
- Options available:
  - 3.4bar (50psi) ●
  - 5.2bar (75psi) ●
  - 8.5bar (125psi) ○

Model shown: AirFlow 3 HP Combi 310mL

### Product advantages

- Glass reinforced nylon handle, ergonomically designed for comfort
- Variable speed regulator for precise control and smooth material flow
- Rod driven plunger prevents cartridges ballooning
- Fitted as standard with a 6.8bar (100psi) regulator (others available)

### Customer benefits

- Lightweight and ergonomically formed for comfort and ease of use
- Built-in silencer (less than 70dB)
- Perfectly balanced for comfort and ease of use
- Built-in air hose for safety
- Piston driven rod action

### Applications



### Product by range



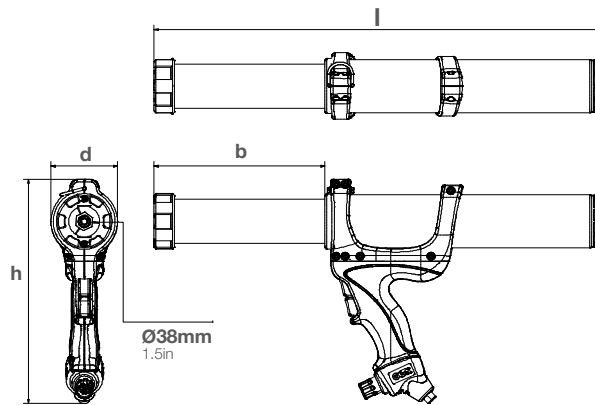
The **COX AirFlow 3 HP Combi** is part of a range of pneumatic dispensers. Designed for use with low to high viscosity sealants and adhesives.

### Specifications

- Weight: 1.73-1.83kg / 3.8-4.0lbs
- Barrel Length: 210-347mm / 8.3-13.6in
- Maximum Thrust: 2.5kN
- Maximum Pneumatic Pressure: 6.8bar (100psi)
- Handle Material: Glass Filled Nylon
- Barrel Material: Anodized Aluminum
- Tool Component Approvals: CE, REACH
- Cartridge Capacity: 310mL (10.5oz), 400mL (13.5oz)
- Sachet Capacity: 310mL (10.5oz), 400mL (13.5oz), 600mL (20.3oz)
- Standard Color: Black/Grey
- Nozzle Dimension:  $\varnothing 38\text{mm}$  / 1.5in
- Customized versions on demand

### Dimensions (mm/in)

product	height (h)	length (l)	depth (d)	barrel (b)
<b>Combi HP 310</b>	276 /10.9	549 /21.6	82 /3.2	210 /8.3
<b>Combi HP 400</b>	276 /10.9	625 /24.6	82 /3.2	248 /9.8
<b>Combi HP 600</b>	285 /11.2	831 /32.7	82 /3.2	347 /13.6



Part number:	Article number:	Packaging:
Combi HP 310	SC2301 (63004-300HP for US)	1 per Box
Combi HP 400	SC2401	1 per Box
Combi HP 600	SC2601 (63004-600HP for US)	1 per Box

### Matching MIXPAC™ cartridges



310mL Peeler Cartridge

	mm	inch
a	215.0	8.46
b	$\varnothing 50.0$	$\varnothing 1.97$

### Compatible cartridges



310mL Plastic Cartridge

	mm	inch
a	215.0	8.46
b	$\varnothing 50.0$	$\varnothing 1.97$



310mL Sachet

	mm	inch
a	220.0	8.66
b	$\varnothing 50.0$	$\varnothing 1.97$



400mL Plastic Cartridge

	mm	inch
a	250.0	9.84
b	$\varnothing 50.0$	$\varnothing 1.97$



400mL Sachet

	mm	inch
a	258.0	10.16
b	$\varnothing 50.0$	$\varnothing 1.97$



600mL Sachet

	mm	inch
a	335.0	13.19
b	$\varnothing 50.0$	$\varnothing 1.97$

### Conversion kits

-

### Matching accessories

Nozzles - on pages 90-95.