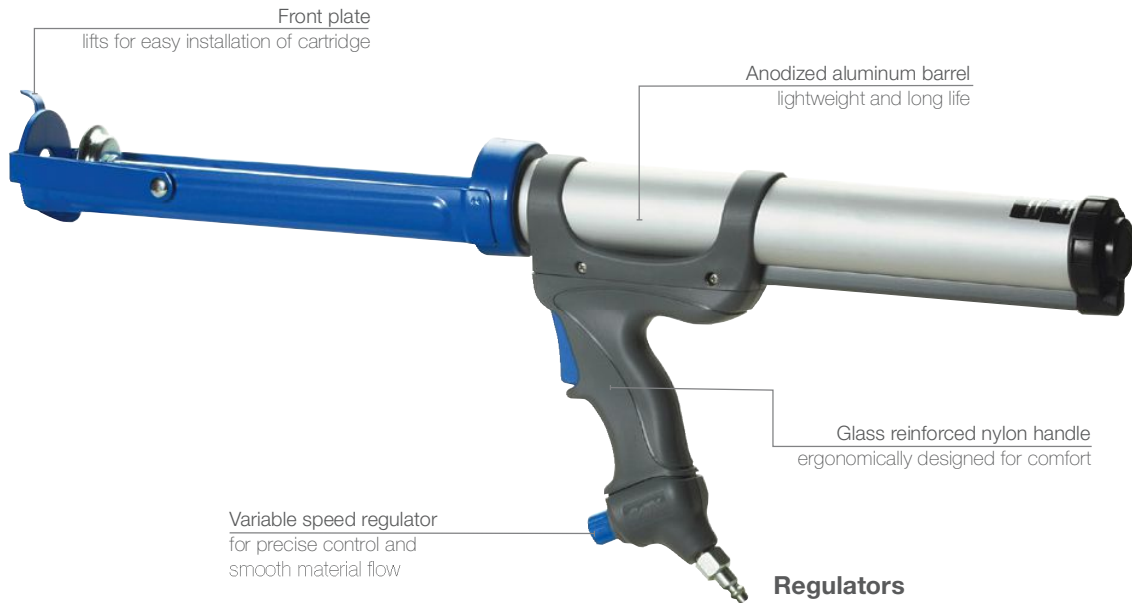




# COX™ 1-Component Dispenser

## AirFlow™ 3 Quart Cartridge

A 1-component pneumatic bead dispenser for US 946mL cartridges.



### Regulators

- **Standard: 6.8bar (100psi)** ●
- Options available:
  - 3.4bar (50psi) ●
  - 5.2bar (75psi) ●
  - 8.5bar (125psi) ○

Model shown: AirFlow 3 Quart Cartridge 946mL

### Product advantages

- Piston driven rod action
- Fitted as standard with a 6.8bar (100psi) regulator (other available)
- Glass reinforced nylon handle and anodized aluminum barrel – lightweight and long life
- Variable speed regulator for precise control and smooth material flow

### Customer benefits

- Lightweight and ergonomically formed dispenser, perfectly balanced for comfort and ease of use
- Built-in silencer (less than 70dB)
- Built-in air hose for safety
- Instant dump valve

### Applications



### Product by range

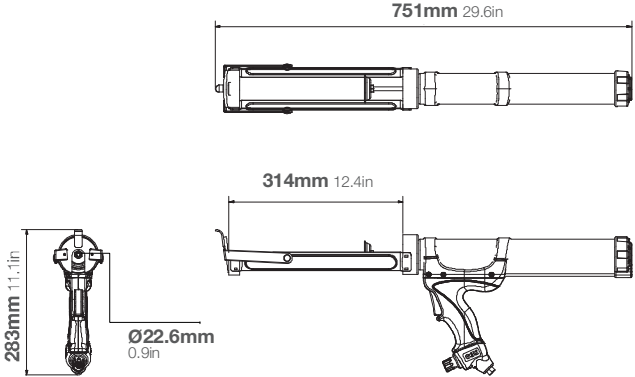


The **COX AirFlow 3 Quart Cartridge** is part of a range of pneumatic dispensers. Designed for use with low to medium viscosity sealants and adhesives.

**Specifications**

- Weight: 1.8kg / 3.9lbs
- Frame Length: 355mm / 14in
- Maximum Thrust: 1.5kN
- Maximum Pneumatic Pressure: 6.8bar (100psi)
- Handle Material: Glass Filled Nylon
- Barrel Material: Anodized Aluminum
- Frame Material: Epoxy Coated Steel
- Tool Component Approvals: CE, REACH
- Cartridge Capacity: 946mL (32oz)
- Standard Color: Grey/Blue
- Customized versions on demand

**Dimensions**



**Part number:**

Quart Cartridge

**Article number:**

63002 for US

**Packaging:**

1 per Box

**Matching MIXPAC™ cartridges**

**Compatible cartridges**



946mL (Quart) Cartridge

|   | mm     | inch   |
|---|--------|--------|
| a | 320    | 12.6   |
| b | Ø 67.0 | Ø 2.64 |

**Conversion kits**

**Matching accessories**

Nozzles - on pages 90-95.