



# COX™ 1-Component Dispenser

## AirFlow™ 3 Cartridge

A 1-component pneumatic bead dispenser for 310/400mL cartridges.



### Regulators

- **Standard: 6.8bar (100psi)** ●
- Options available:
  - 3.4bar (50psi) ●
  - 5.2bar (75psi) ●
  - 8.5bar (125psi) ○

Model shown: AirFlow 3 Cartridge 310mL

### Product advantages

- Glass reinforced nylon handle, ergonomically designed for comfort
- Variable speed regulator for precise control and smooth material flow
- Anodized aluminum barrel, lightweight and long life
- Fitted as standard with a 6.8bar (100psi) regulator (others available)

### Customer benefits

- Lightweight and ergonomically formed for comfort and ease of use
- Built-in silencer (less than 70dB)
- Direct acting mechanism – air pressure applied direct to plunger
- Built-in air hose for safety

### Applications



### Product by range



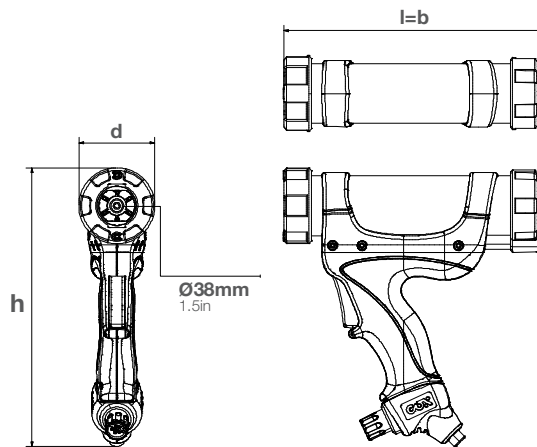
The **COX AirFlow 3 Cartridge** is part of a range of pneumatic dispensers. Designed for use with low to medium viscosity sealants and adhesives.

### Specifications

- Weight: 0.60-0.77kg / 1.3-1.7lbs
- Barrel Length: 235-271mm / 9.2-10.7in
- Maximum Thrust: 1.5kN
- Maximum Pneumatic Pressure: 6.8bar (100psi)
- Handle Material: Glass Filled Nylon
- Barrel Material: Anodized Aluminum
- Tool Component Approvals: CE, REACH
- Cartridge Capacity: 310mL (10.5oz), 400mL (13.5oz)
- Standard Color: Black/Grey
- Nozzle Dimension:  $\varnothing 38\text{mm}$  / 1.5in
- Customized versions on demand

### Dimensions (mm/in)

product	height (h)	length (l)	depth (d)	barrel (b)
<b>Cartridge 310</b>	251 /9.9	235 /9.2	69 /2.7	235 /9.2
<b>Cartridge 400</b>	251 /9.9	271 /10.7	69 /2.7	271 /10.7



Part number:	Article number:	Packaging:
Cartridge 310	SB2301 (63001 for US)	1 per Box
Cartridge 400	SB2401	1 per Box

### Matching MIXPAC™ cartridges

-

### Compatible cartridges



310mL Plastic Cartridge



400mL Plastic Cartridge

	mm	inch		mm	inch
a	215.0	8.46	a	250.0	9.84
b	$\varnothing 50.0$	$\varnothing 1.97$	b	$\varnothing 50.0$	$\varnothing 1.97$

Cardboard cartridges should not be used with the AirFlow 3 Cartridge.

### Conversion kits

-

### Matching accessories

Nozzles - on pages 90-95.