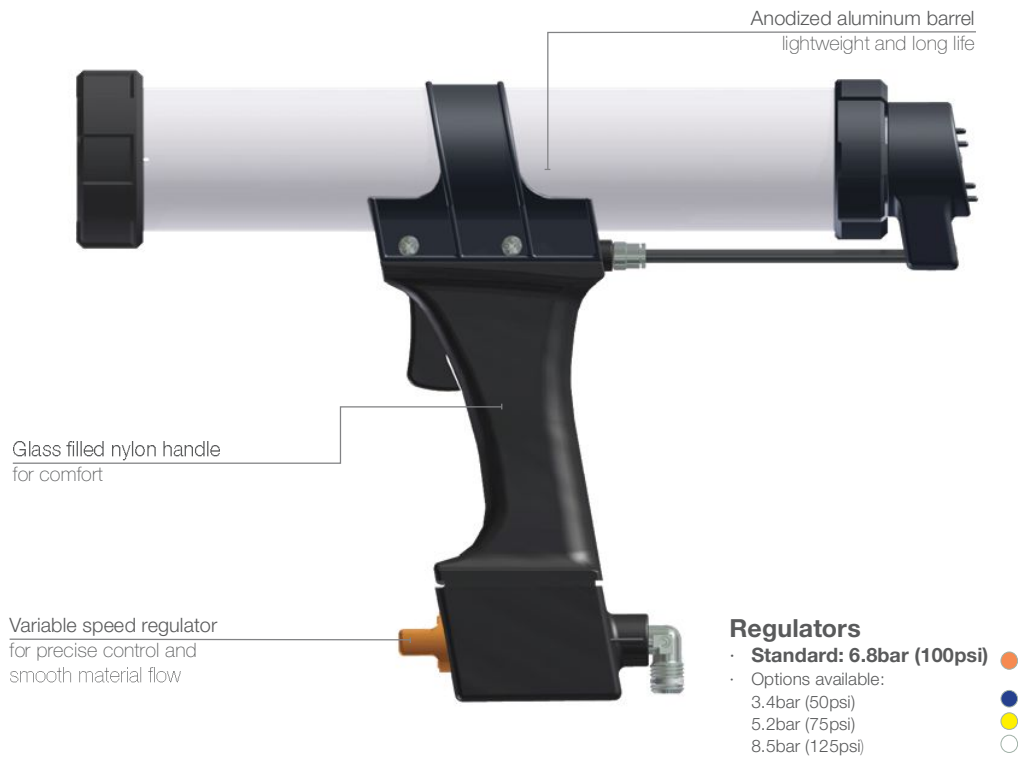




# COX™ 1-Component Dispenser

## AirFlow™ 2 Sachet

A 1-component pneumatic bead dispenser for 310/400/600mL sachets.



### Regulators

- **Standard: 6.8bar (100psi)** ●
- Options available:
  - 3.4bar (50psi) ●
  - 5.2bar (75psi) ●
  - 8.5bar (125psi) ○

Model shown: AirFlow 2 Sachet 310mL

### Product advantages

- Variable speed regulator for precise control and smooth material flow
- Glass filled nylon handle – ergonomically designed for comfort
- Anodized aluminum barrel, lightweight and long life
- Fitted as standard with a 6.8bar (100psi) regulator (others available)

### Customer benefits

- Lightweight and ergonomically formed dispenser
- Integrated handle with quick adjust pressure regulator
- Floating plunger with tethered piston system to minimize waste of material
- Quick exhaust valve minimizes flow-on

### Applications



### Product by range



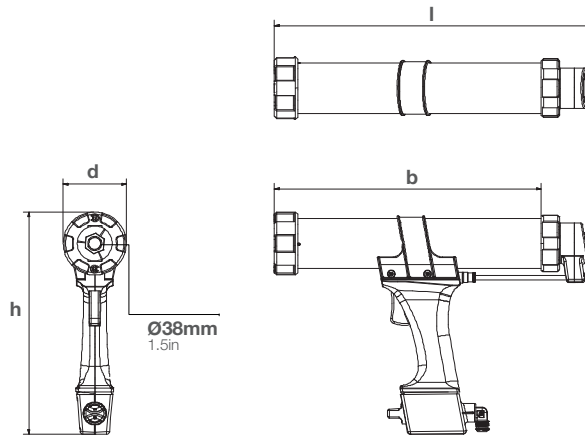
The **COX AirFlow 2 Sachet** is part of a range of pneumatic dispensers designed for use with low viscosity sealants and adhesives.

### Specifications

- Weight: 0.95-1.12kg / 2.1-2.5lbs
- Frame Length: 290mm-437mm / 11.4in-17.2in
- Maximum Thrust: 1.45kN
- Maximum Pneumatic Pressure: 6.8bar (100psi)
- Handle Material: Glass Filled Nylon
- Barrel Material: Anodized Aluminum
- Tool Component Approvals: CE, REACH
- Sachet Capacity: 310mL (10.5oz), 400mL (13.5oz), 600mL (20.3oz)
- Standard Color: Black/Grey
- Nozzle Dimension: ø38mm / 1.5in
- Customized versions on demand

### Dimensions (mm/in)

product	height (h)	length (l)	depth (d)	barrel (b)
Sachet 310	242 /9.5	345 /13.6	69 /2.7	290 /11.4
Sachet 400	242 /9.5	386 /15.2	69 /2.7	332 /13.1
Sachet 600	242 /9.5	492 /19.4	69 /2.7	437 /17.2



Part number:	Article number:	Packaging:
Sachet 310	BJ1001 (61006-10 for US)	1/5/10 per Box (1 per Box for US)
Sachet 400	BJ1501 (61006-400 for US)	1/5/10 per Box (1 per Box for US)
Sachet 600	BJ2501 (61006-20 for US)	1/5/10 per Box (1 per Box for US)

### Matching MIXPAC™ cartridges

-

### Compatible cartridges and sachets



310mL Sachet



400mL Sachet



600mL Sachet

	mm	inch
a	220.0	8.66
b	Ø 50.0	Ø 1.97

	mm	inch
a	258.0	10.16
b	Ø 50.0	Ø 1.97

	mm	inch
a	335.0	13.19
b	Ø 50.0	Ø 1.97

### Conversion kits

-

### Matching accessories

Nozzles - on pages 90-95.