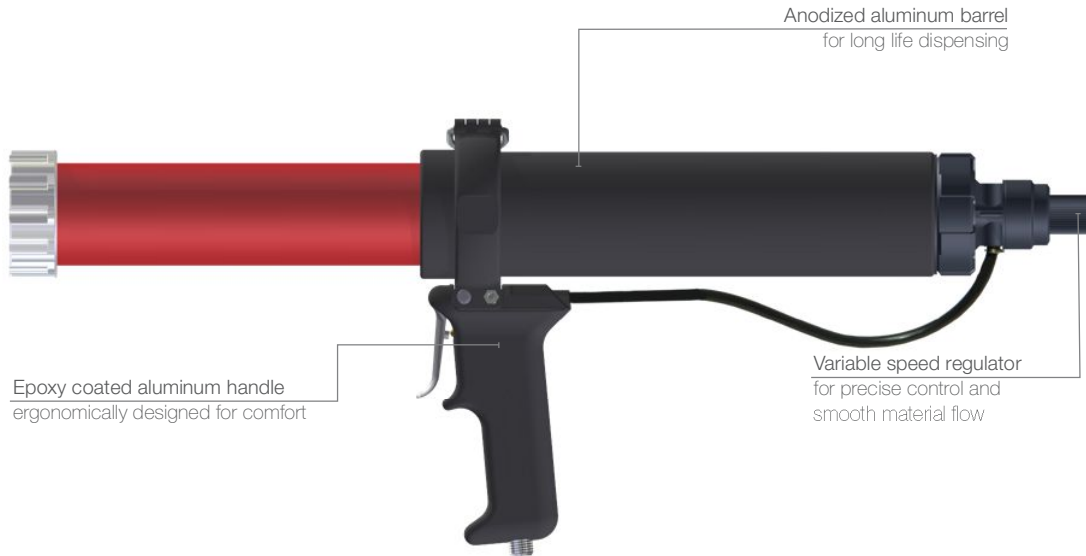




# COX™ 1-Component Dispenser

## AirFlow™ 1 HP Combi

A 1-component pneumatic bead dispenser for 310/400mL cartridges and 310/400/600mL sachets.



Anodized aluminum barrel  
for long life dispensing

Epoxy coated aluminum handle  
ergonomically designed for comfort

Variable speed regulator  
for precise control and  
smooth material flow

### Regulators

- **Standard: 6.8bar (100psi)** ●
- Options available:
  - 3.4bar (50psi) ●
  - 5.2bar (75psi) ●
  - 8.5bar (125psi) ○

Model shown: AirFlow 1 HP Combi 310ml

### Product advantages

- Variable speed regulator for precise control and smooth material flow
- Epoxy coated aluminum handle, ergonomically designed for comfort
- Anodized aluminum barrel for long life dispensing
- Fitted as standard with a 6.8bar (100psi) regulator (others available)

### Customer benefits

- Ultra high viscosity materials
- Leak free dispensing
- Piston driven rod action

### Applications



### Product by range



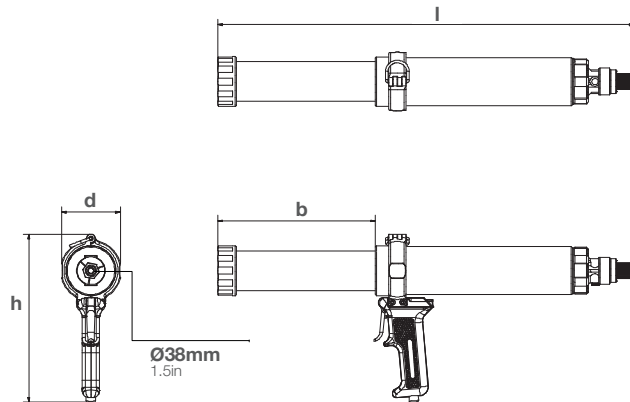
The **COX AirFlow 1 HP Combi** is part of a range of pneumatic dispensers designed for use with high viscosity sealants and adhesives.

### Specifications

- Weight: 1.95-2.46kg / 4.2-5.4lbs
- Barrel Length: 216mm-362mm / 8.5in-14.3in
- Maximum Thrust: 2.2kN
- Maximum Pneumatic Pressure: 6.8bar (100psi)
- Handle Material: Epoxy Coated Aluminum
- Barrel Material: Anodized Aluminum
- Tool Component Approvals: CE, REACH
- Cartridge Capacity: 310mL (10.5oz), 400mL (13.5oz)
- Sachet Capacity: 310mL (10.5oz), 400mL (13.5oz), 600mL (20.3oz)
- Standard Color: Black/Red
- Nozzle Dimension:  $\varnothing 38\text{mm}$  / 1.5in
- Customized versions on demand

### Dimensions (mm/in)

product	height (h)	length (l)	depth (d)	barrel (b)
HP Combi 310	230 /9.1	570 /22.4	80 /3.1	216 /8.5
HP Combi 400	230 /9.1	642 /25.3	80 /3.1	251 /9.9
HP Combi 600	230 /9.1	861 /33.9	80 /3.1	362 /14.3



Part number:	Article number:	Packaging:
HP Combi 310	BB2311 (61004-HP for US)	1 per Box
HP Combi 400	BB2400	1 per Box
HP Combi 600	BB2601	1 per Box

### Matching MIXPAC™ cartridges



310ml Peeler Cartridge

	mm	inch
a	215.0	8.46
b	$\varnothing 50.0$	$\varnothing 1.97$

### Compatible cartridges



310mL Plastic Cartridge

	mm	inch
a	215.0	8.46
b	$\varnothing 50.0$	$\varnothing 1.97$



310mL Sachet

	mm	inch
a	220.0	8.66
b	$\varnothing 50.0$	$\varnothing 1.97$



400mL Plastic Cartridge

	mm	inch
a	250.0	9.84
b	$\varnothing 50.0$	$\varnothing 1.97$



400mL Sachet

	mm	inch
a	258.0	10.16
b	$\varnothing 50.0$	$\varnothing 1.97$



600mL Sachet

	mm	inch
a	335.0	13.19
b	$\varnothing 50.0$	$\varnothing 1.97$

### Conversion kits

-

### Matching accessories

Nozzles - on pages 90-95.