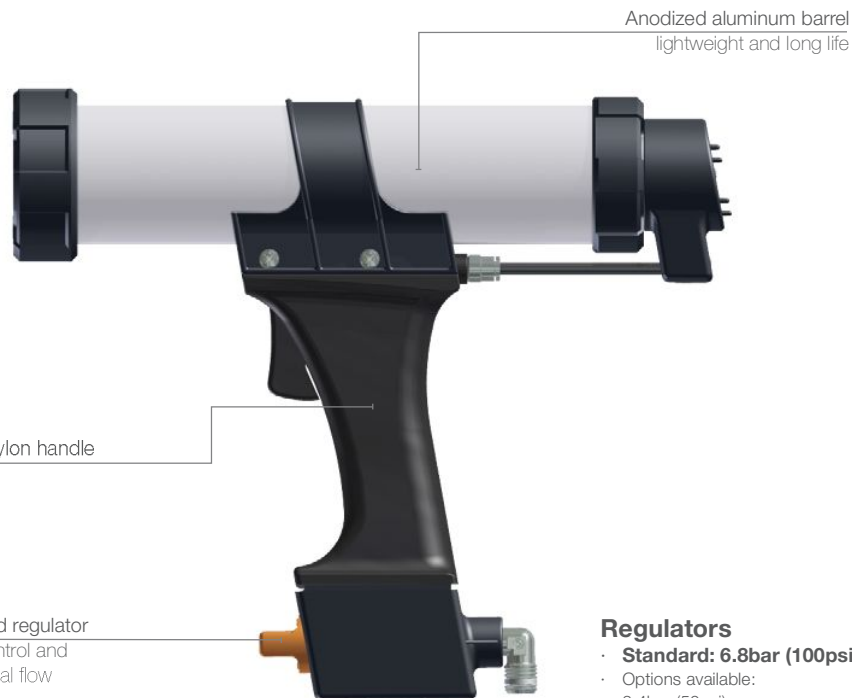




COX™ 1-Component Dispenser

AirFlow™ 2 Cartridge

A 1-component pneumatic bead dispenser for 310/400mL cartridges.



Anodized aluminum barrel
lightweight and long life

Glass filled nylon handle
for comfort

Variable speed regulator
for precise control and
smooth material flow

Regulators

- **Standard: 6.8bar (100psi)** ●
- Options available:
 - 3.4bar (50psi) ●
 - 5.2bar (75psi) ●
 - 8.5bar (125psi) ●

Model shown: AirFlow 2 Cartridge 310mL

Product advantages

- Variable speed regulator for precise control and smooth material flow
- Glass filled nylon handle, ergonomically designed for comfort
- Anodized aluminum barrel, lightweight and long life
- Fitted as standard with a 6.8bar (100psi) regulator (others available)

Customer benefits

- Swivel hose connector
- Integrated handle with pressure regulator
- Direct acting mechanism – air pressure applied direct to plunger

Applications



Product by range



**AirFlow 2
Cartridge**

AirFlow 2
Sachet

AirFlow 2
Combi

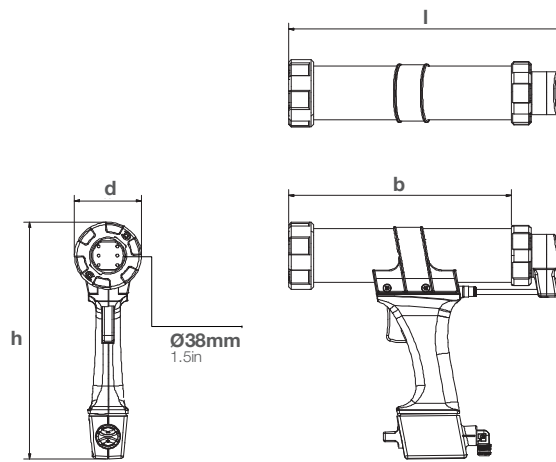
The **COX AirFlow 2 Cartridge** is part of a range of pneumatic dispensers designed for use with low viscosity sealants and adhesives.

Specifications

- Weight: 0.73-0.81kg / 1.6-1.7lbs
- Frame Length: 228mm-267mm / 9.0in-10.5in
- Maximum Thrust: 1.2kN
- Maximum Pneumatic Pressure: 6.8bar (100psi)
- Handle Material: Glass Filled Nylon
- Barrel Material: Anodized Aluminum
- Tool Component Approvals: CE, REACH
- Cartridge Capacity: 310mL (10.5oz), 400mL (13.5oz)
- Standard Color: Black/Grey
- Nozzle Dimension: \varnothing 38mm / 1.5in
- Customized versions on demand

Dimensions (mm/in)

product	height (h)	length (l)	depth (d)	barrel (b)
Cartridge 310	242 /9.5	282 /11.1	69 /2.7	228 /9.0
Cartridge 400	242 /9.5	322 /12.7	69 /2.7	267 /10.5



Part number:

Cartridge 310

Cartridge 400

Article number:

BH1001 (61001 for US)

BH1503

Packaging:

1/5/10 per Box (1 per Box for US)

1/5/10 per Box

Matching MIXPAC™ cartridges

-

Compatible cartridges



310mL Plastic Cartridge



400mL Plastic Cartridge

	mm	inch		mm	inch
a	215.0	8.46	a	250.0	9.84
b	\varnothing 50.0	\varnothing 1.97	b	\varnothing 50.0	\varnothing 1.97

Cardboard cartridges should not be used with the AirFlow 2 Cartridge.

Conversion kits

-

Matching accessories

On pages 90-95.