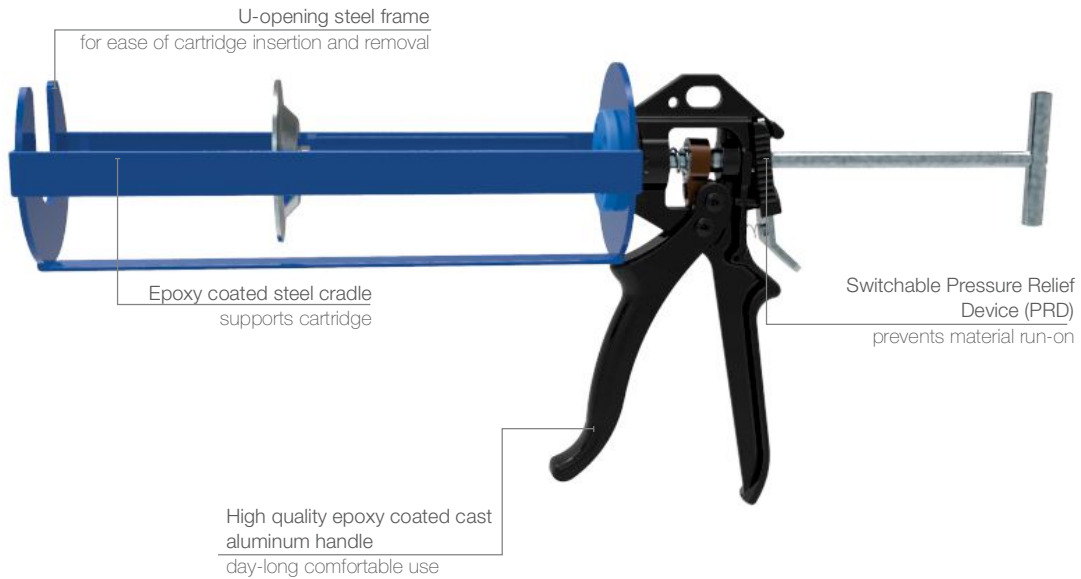




COX™ 1-Component Dispenser

PowerFlow™ Cartridge

A 1-component manual bead dispenser for 1000mL cartridges.



Sulzer | 1-Component COX Dispenser | 18

Model shown: PowerFlow Cartridge 1000mL

Product advantages

- High quality epoxy coated cast aluminum handle day-long comfortable use
- Epoxy coated steel cradle supports cartridge
- U-opening steel frame for ease of cartridge insertion and removal
- Switchable Pressure Relief Device (PRD) prevents material run-on when engaged

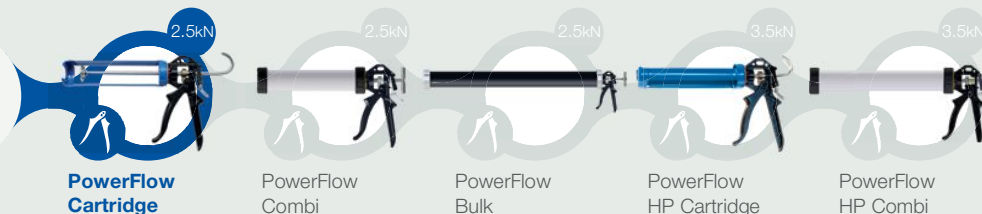
Customer benefits

- Powerful and highly durable
- Maximum use of sealant with minimum waste
- Fast efficient dispensing
- High quality epoxy coated cast aluminum handle
- Sintered alloy catch plate, hardened rod and Wear Compensation Device (WCD)
- Rotating frames for easy cartridge insertion

Applications



Product by range

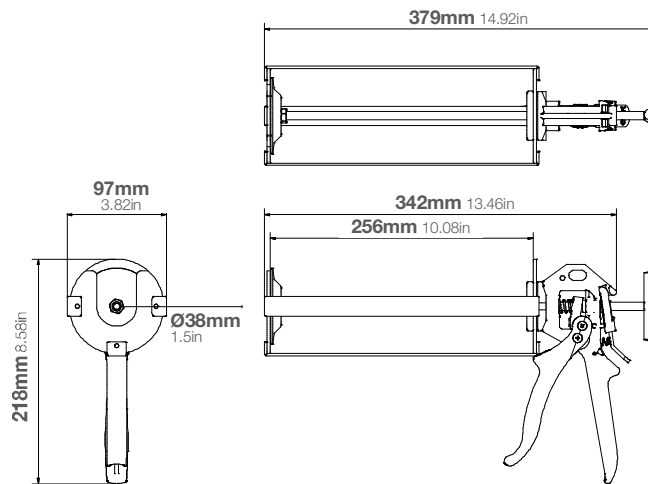


The **COX PowerFlow Cartridge** is part of a range of high-powered manual dispensers. Designed for use with low-medium viscosity sealants and adhesives.

Specifications

- Weight: 1.12kg / 2.46lbs
- Frame Length: 256mm / 10.08in
- Maximum Thrust: 2.5kN
- Pressure Relief Device (PRD)
- Handle Material: Epoxy Coated Aluminum
- Frame Material: Epoxy Coated Steel
- Tool Component Approvals: REACH
- Cartridge Capacity: 1000mL (33.8oz)
- Mechanical Advantage Ratio: (12:1)
- Standard Color: Blue/Black
- Nozzle Dimension: $\varnothing 38\text{mm}$ / 1.5in
- Customized versions on demand

Dimensions



Sulzer | 1-Component COX Dispenser | 19

Part number:

Cartridge

Article number:

AG1000 (41009 for US)

Packaging:

1 per Box

Matching MIXPAC™ cartridges

-

Compatible cartridges



1000mL Short Plastic Cartridge

	mm	inch
a	210.0	8.27
b	$\varnothing 90.0$	$\varnothing 3.54$

Conversion kits

-

Matching accessories

Nozzle extension / Twisty nozzle on pages 90-95.