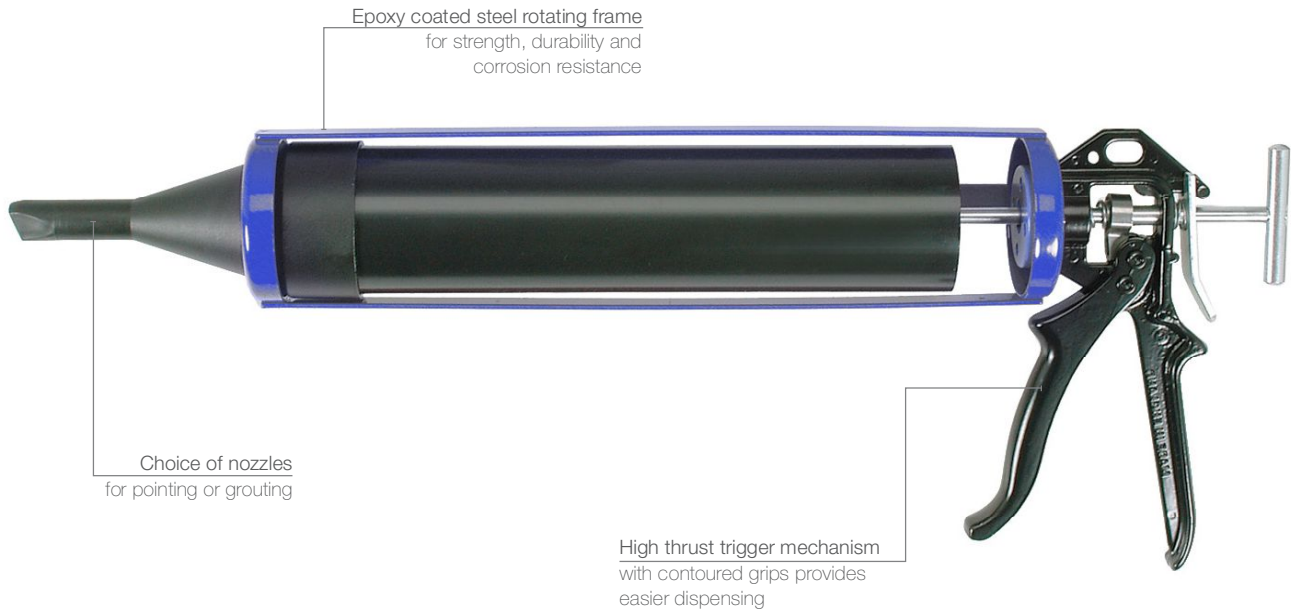




COX™ 1-Component Dispenser

UltraPoint™

A 1-component manual pointing and grouting dispenser for 800mL bulk materials.



Sulzer | 1-Component COX Dispenser | 40

Model shown: UltraPoint 1000mL

Product advantages

- High thrust trigger mechanism with contoured grips provides easier dispensing
- Choice of nozzles for pointing or grouting
- Epoxy coated steel frame for strength, durability and corrosion resistant
- Rubber plunger allows adjusting for wear take-up and optimum barrel fit

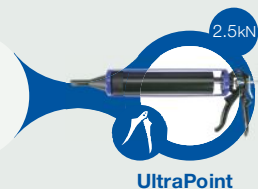
Customer benefits

- Heavy duty construction
- Replaceable barrel
- Easy to use and simple maintenance
- Plunger rod and other drive components case hardened for long life
- Supplied with mixing paddle
- Epoxy coated steel rotating frame
- Switchable Pressure Relief Device (PRD) stops material flow when trigger is released (US only)

Applications



Product by range

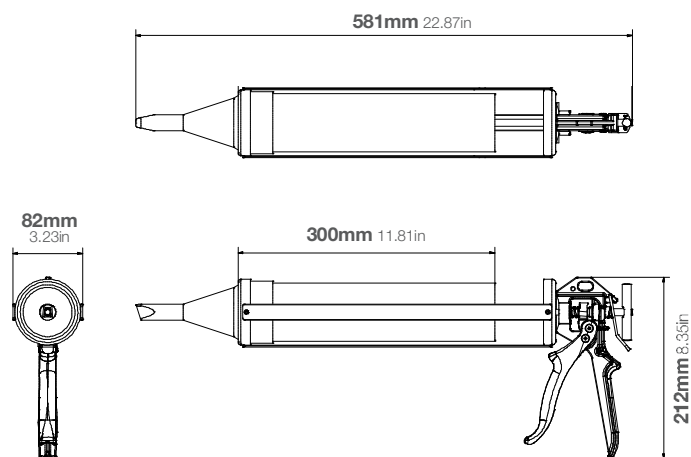


The **COX UltraPoint** for pointing and gap filling between brick, grouting and stonework, paving and tiles.

Specifications

- Weight 1.42kg / 3.13lbs
- Barrel Length: 300mm / 11.81in
- Maximum Thrust: 2.5kN
- Handle Material: Epoxy Coated Aluminum
- Barrel Material: Black PVC
- Tool Component Approvals: REACH
- Bulk Material Capacity: 800mL (31.5oz)
- Mechanical Advantage Ratio: (12:1)
- Standard Color: Blue/Black
- Customized versions on demand

Dimensions



Part number:

Bulk 800mL

Article number:

AF6001 (41006 for US)

Packaging:

1 per Box

Matching MIXPAC™ cartridges

-

Compatible cartridges

-

Conversion kits

-

Matching accessories

Grouting/pointing nozzle, dispenser tube, turbine mixer on pages 90-95.