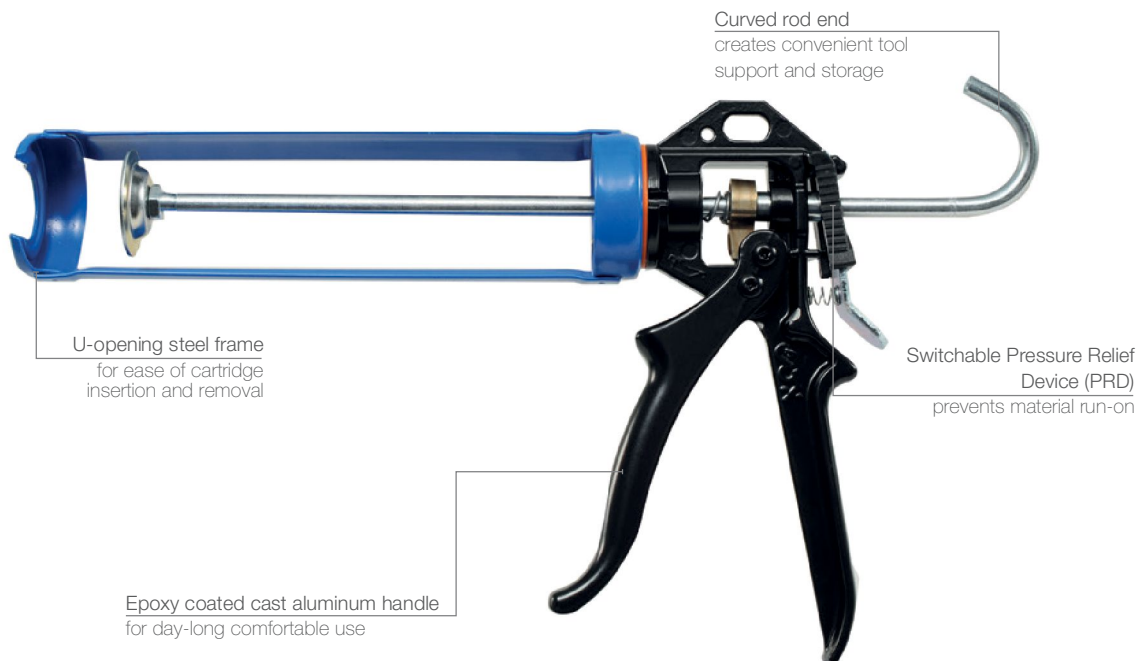




# COX™ 1-Component Dispenser

## PowerFlow™ Cartridge

A 1-component manual bead dispenser for 310/400mL cartridges.



Model shown: PowerFlow Cartridge 310mL

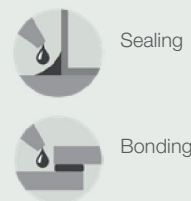
### Product advantages

- High quality epoxy coated cast aluminum handle for day-long comfortable use
- U-opening steel frame for ease of cartridge insertion and removal
- Curved rod end creates convenient tool support and storage
- Switchable Pressure Relief Device (PRD) prevents material run-on

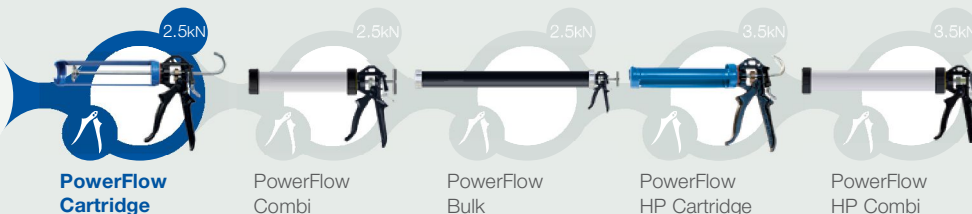
### Customer benefits

- Powerful and highly durable
- Maximum use of sealant with minimum waste
- Rotating frame to help follow contours
- Sintered alloy catch plate, hardened rod and Wear Compensation Device (WCD)
- Spike for piercing barrier in cartridges - US only

### Applications



### Product by range



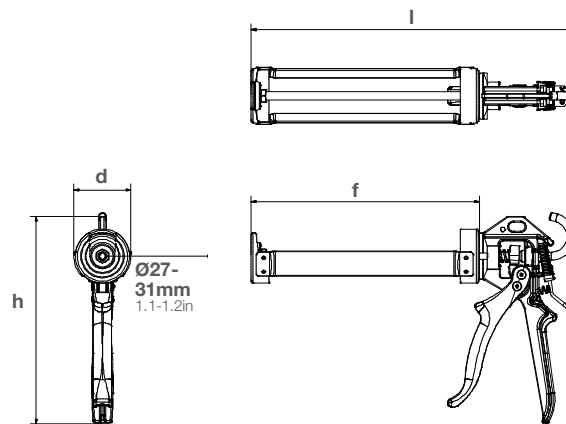
The **COX PowerFlow Cartridge** is part of a range of high-powered manual dispensers. Designed for use with low-medium viscosity sealants and adhesives.

### Specifications

- Weight: 0.75-0.79kg / 1.65-1.74lbs
- Frame Length: 233mm-274mm / 9.3in-10.8in
- Maximum Thrust: 2.5kN
- Pressure Relief Device (PRD)
- Handle Material: Epoxy Coated Aluminum
- Frame Material: Epoxy Coated Steel
- Tool Component Approvals: REACH
- Cartridge Capacity: 310mL (10.5oz), 400mL (13.5oz)
- Mechanical Advantage Ratio: (12:1)
- Standard Color: Blue/Black
- Nozzle Dimension:  $\varnothing 27\text{-}31\text{mm}$  / 1.1-1.2in
- Customized versions on demand

### Dimensions (mm/in)

product	height (h)	length (l)	depth (d)	frame (f)
<b>Cartridge 310</b>	213 /8.4	334 /13.1	58.5 /2.3	233 /9.3
<b>Cartridge 400</b>	213 /8.4	391 /15.3	58.3 /2.3	274 /10.8



Part number:	Article number:	Packaging:
Cartridge 310	AE1001 (41004 for US)	1/10 per Box (6 per Box for US)
Cartridge 400	AE2001	1/10 per Box

### Matching MIXPAC™ cartridges

### Compatible cartridges

150mL Red Cap 1:1 and 10:1 Co-axial	150mL Black Cap 1:1 and 10:1 Co-axial	150mL Co-axial Cartridge	310mL Plastic Cartridge	400mL Plastic Cartridge
mm    inch	mm    inch	mm    inch	mm    inch	mm    inch
a    118.5    4.67	a    117.0    4.61	a    117.0    4.61	a    215.0    8.46	a    250.0    9.84
b $\varnothing 49.3$ $\varnothing 1.94$	b $\varnothing 50.6$ $\varnothing 1.99$	b $\varnothing 51.0$ $\varnothing 2.01$	b $\varnothing 50.0$ $\varnothing 1.97$	b $\varnothing 50.0$ $\varnothing 1.97$

### Conversion kits

### Matching accessories

Nozzle extension / Twisty nozzle on pages 90-95.