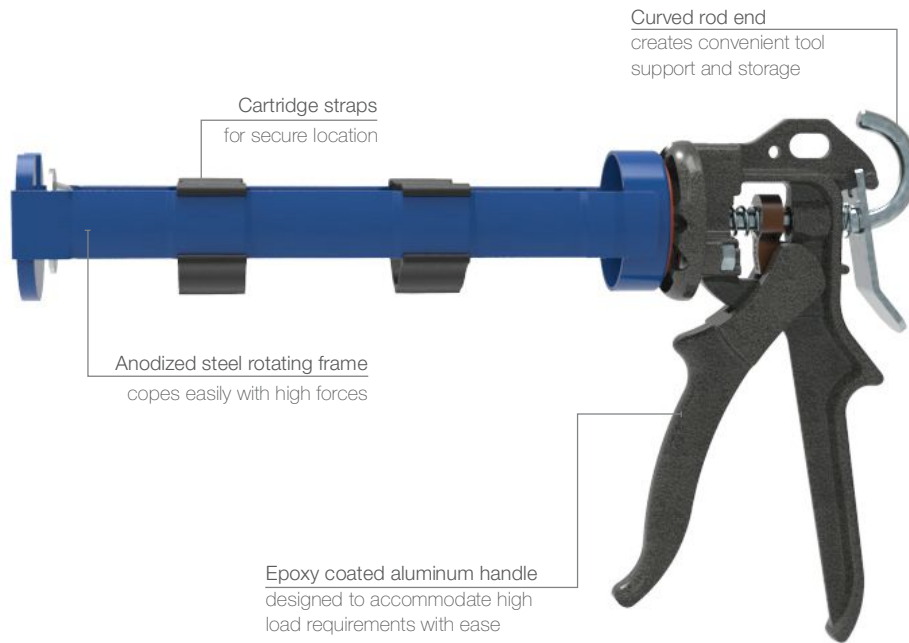




COX™ 1-Component Dispenser

UltraFlow™ Cartridge

A 1-component manual bead dispenser for 310mL cartridges.



Sulzer | 1-Component COX Dispenser | 34

Model shown: UltraFlow Cartridge 310mL

Product advantages

- Epoxy coated aluminum handle designed to accommodate high load requirements with ease
- Anodized steel rotating frame – copes easily with high forces
- Cartridge straps for secure location
- Curved rod end creates convenient tool support and storage

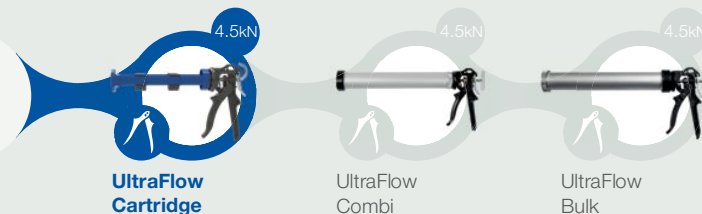
Customer benefits

- Hardened and metal plated parts to increase corrosion resistance
- Versatile easy to use with high viscosity materials
- Fast efficient sealant dispensing
- Powerful 25:1 trigger ratio for easy application
- Automatic wear compensation, for long tool life

Applications



Product by range

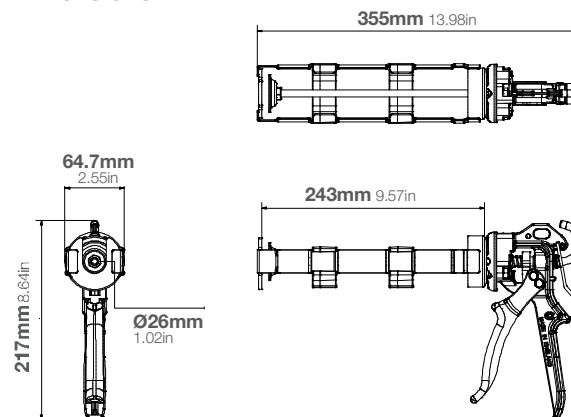


The **COX UltraFlow Cartridge** is part of a range of high-powered manual dispensers. Designed for use with medium to high viscosity sealants and adhesives.

Specifications

- Weight: 0.90kg / 1.34lbs
- Frame Length: 243mm / 9.57in
- Maximum Thrust: 4.5kN
- Handle Material: Epoxy Coated Aluminum
- Frame Material: Anodized Steel
- Tool Component Approvals: REACH
- Cartridge Capacity: 310mL (10.5oz)
- Mechanical Advantage Ratio: (25:1)
- Standard Color: Blue/Black
- Nozzle Dimension: $\varnothing 26\text{mm}$ / 1.02in
- Customized versions on demand

Dimensions



Part number:

Cart 310/400mL

Article number:

BE1001 (41004-2T for US)

Packaging:

1 or 5/10 per Box (6 per Box for US)

Matching MIXPAC™ cartridges



310mL Peeler Cartridge

	mm	inch
a	215.0	8.46
b	$\varnothing 50.0$	$\varnothing 1.97$

Compatible cartridges



150mL Co-axial Cartridge

	mm	inch
a	117.0	4.61
b	$\varnothing 51.0$	$\varnothing 2.01$



310mL Plastic Cartridge

	mm	inch
a	215.0	8.46
b	$\varnothing 50.0$	$\varnothing 1.97$

Conversion kits

-

Matching accessories

Nozzle extension / twisty nozzle on pages 90-95.