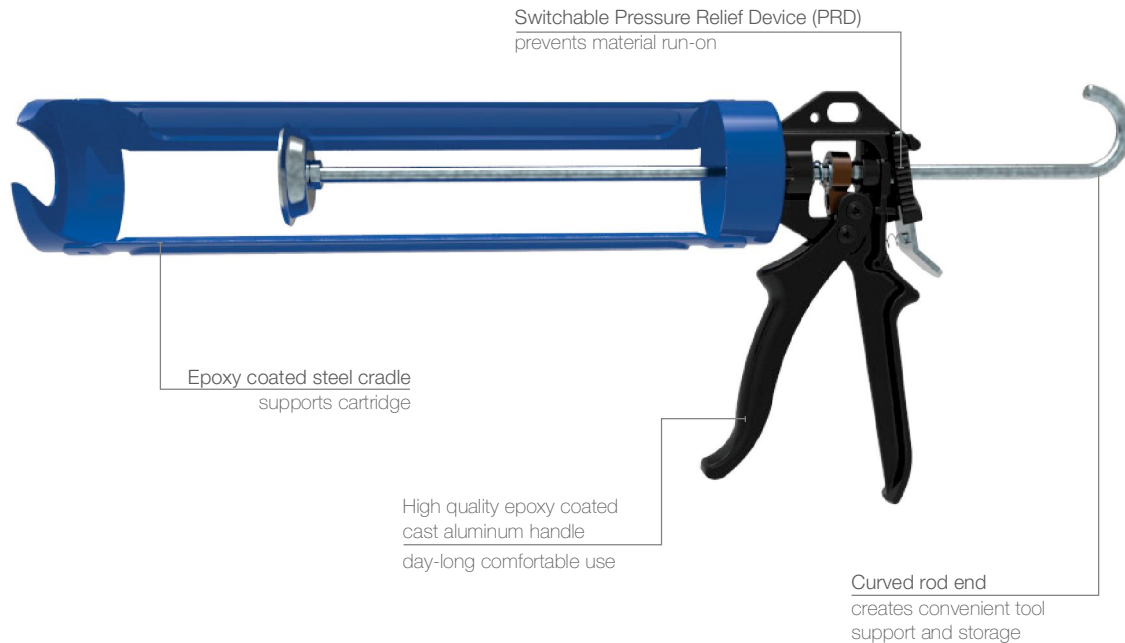




COX™ 1-Component Dispenser

PowerFlow™ Quart Cartridge

A 1-component manual bead dispenser for US 946mL cartridges.



Sulzer | 1-Component COX Dispenser | 20

Model shown: PowerFlow Quart Cartridge 946mL

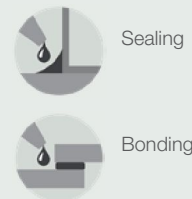
Product advantages

- High quality epoxy coated cast aluminum handle day-long comfortable use
- Epoxy coated steel cradle supports cartridge
- Curved rod end creates convenient tool support and storage
- Switchable Pressure Relief Device (PRD) prevents material run-on when engaged

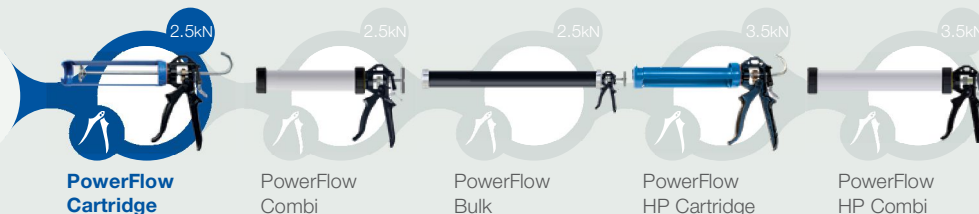
Customer benefits

- Powerful and highly durable
- Maximum use of sealant with minimum waste
- Fast efficient dispensing
- Contoured handle and trigger grip for ease of use
- Spike for piercing barrier in cartridges - US only

Applications



Product by range

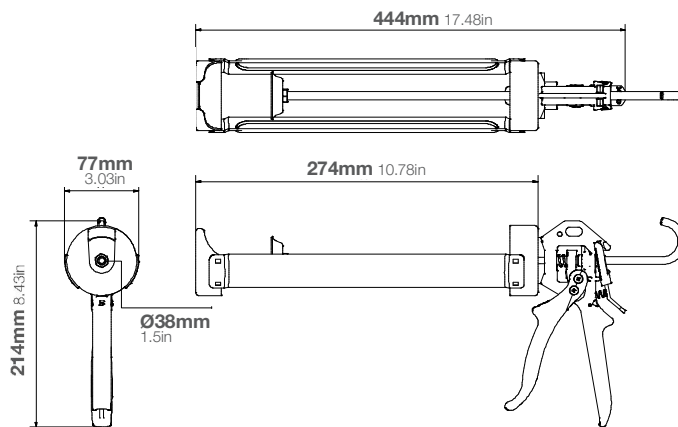


The **COX PowerFlow Quart Cartridge** is part of a range of high-powered manual dispensers. Designed for use with low-medium viscosity sealants and adhesives.

Specifications

- Weight: 0.79kg / 1.7lbs
- Frame Length: 274mm / 10.78in
- Maximum Thrust: 2.5kN
- Pressure Relief Device (PRD)
- Handle Material: Epoxy Coated Aluminum
- Frame Material: Epoxy Coated Steel
- Tool Component Approvals: REACH
- Cartridge Capacity: 946mL (32oz)
- Mechanical Advantage Ratio: (12:1)
- Standard Color: Blue/Black
- Nozzle Dimension: $\varnothing 38\text{mm}$ / 1.5in
- Customized versions on demand

Dimensions



Sulzer | 1-Component COX Dispenser | 21

Part number:

Quart Cartridge

Article number:

41002 for US

Packaging:

3 per Box

Matching MIXPAC™ cartridges

-

Compatible cartridges



946mL (Quart) Cartridge

	mm	inch
a	258	10.2
b	$\varnothing 50.0$	$\varnothing 1.97$

Conversion kits

-

Matching accessories

Nozzle extension / Twisty nozzle on pages 90-95.