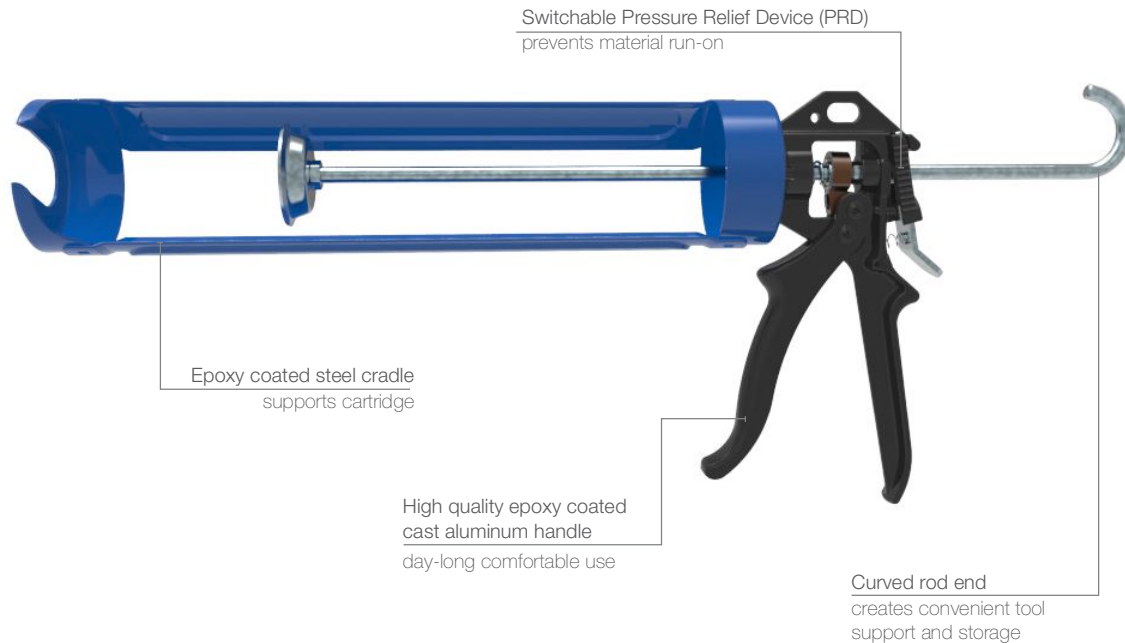




COX™ 1-Component Dispenser

PowerFlow™ HP Quart Cartridge

A 1-component manual bead dispenser for US 946mL cartridges.



Model shown: PowerFlow HP Quart Cartridge 946mL

Product advantages

- High quality epoxy coated cast aluminum handle day-long comfortable use
- Epoxy coated steel cradle supports cartridge
- Curved rod end creates convenient tool support and storage
- Switchable Pressure Relief Device (PRD) prevents material run-on when engaged

Customer benefits

- Lightweight highly durable
- Maximum use of sealant with minimum waste
- Sintered alloy catch plate, hardened rod and Wear Compensation Device (WCD)
- Contoured handle and trigger grip for ease of use
- Spike for piercing barrier in cartridges - US only

Applications



Product by range

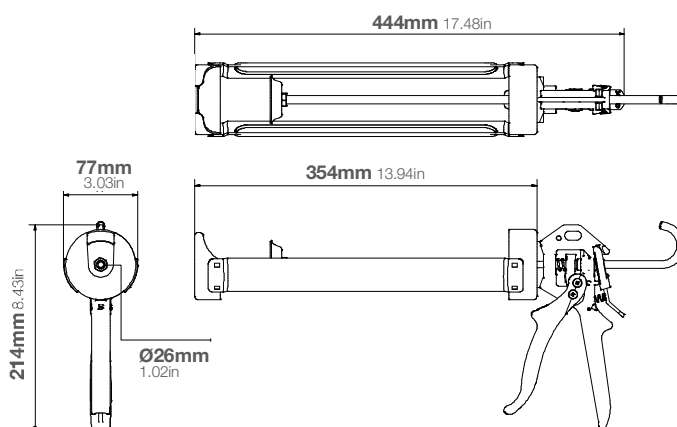


The **COX PowerFlow HP Quart Cartridge** is part of a range of high-powered manual dispensers. Designed for use with low-high viscosity sealants and adhesives.

Specifications

- Weight: 1.47kg / 2.5lbs
- Frame Length: 354mm / 13.94in
- Maximum Thrust: 3.5kN
- Pressure Relief Device (PRD)
- Handle Material: Epoxy Coated Aluminum
- Frame Material: Epoxy Coated Steel
- Tool Component Approvals: REACH
- Cartridge Capacity: 946mL (32oz)
- Mechanical Advantage Ratio: (18:1)
- Standard Color: Blue/Black
- Nozzle Dimension: $\varnothing 26\text{mm}$ / 1.02in
- Customized versions on demand

Dimensions



Part number:

HP Quart Cartridge

Article number:

41002-XT for US

Packaging:

3 per Box

Matching MIXPAC™ cartridges

-

Compatible cartridges



946mL (Quart) Cartridge

	mm	inch
a	320	12.6
b	$\varnothing 67.0$	$\varnothing 2.64$

Conversion kits

-

Matching accessories

Nozzle extension / Twisty nozzle on pages 90-95.