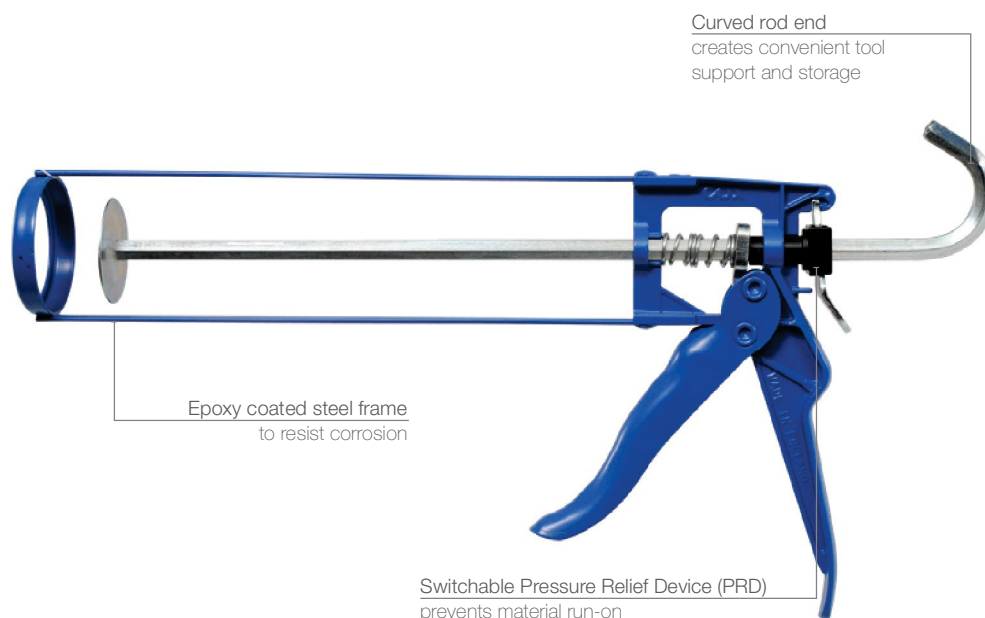




COX™ 1-Component Dispenser

EasiFlow™ HD

A 1-component manual bead dispenser for 310/400mL cartridges.



Sulzer | 1-Component COX Dispenser | 10

Model shown: EasiFlow HD 400mL

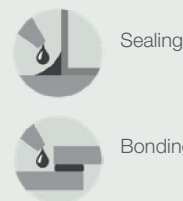
Product advantages

- Switchable Pressure Relief Device (PRD) prevents material run-on when engaged
- Epoxy coated steel handle
- Curved rod end for convenient tool support and storage
- Strong rigid epoxy coated steel frame resists corrosion

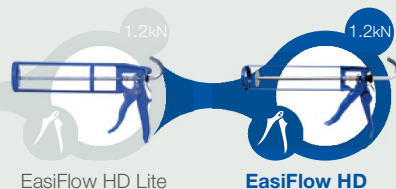
Customer benefits

- Lightweight epoxy coated steel handle and frame
- For use with low viscosity materials
- 7:1 trigger ratio ensures high yield per trigger pull
- Spike for piercing barrier in cartridges - US only

Applications



Product by range



EasiFlow HD Lite

EasiFlow HD

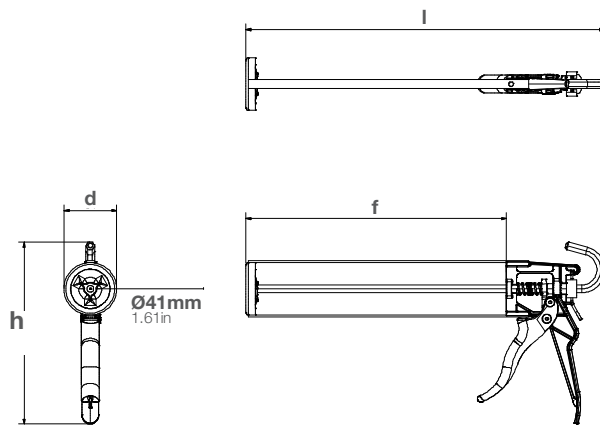
The **EasiFlow HD** range of manual dispensers is designed for use with low viscosity sealants and adhesives.

Specifications

- Weight: 0.51-0.54kg / 1.1-1.2lbs
- Frame Length: 231mm-268mm / 9.1in-10.5in
- Maximum Thrust: 1.2kN
- Pressure Relief Device (PRD)
- Handle Material: Epoxy Coated Steel
- Frame Material: Epoxy Coated Steel
- Tool Component Approvals: REACH
- Cartridge Capacity: 310mL (10.5oz), 400mL (13.5oz)
- Mechanical Advantage Ratio: (7:1)
- Standard Color: Blue
- Nozzle Dimension: $\varnothing 41\text{mm}$ / 1.61in
- Customized versions on demand

Dimensions (mm/in)

product	height (h)	length (l)	depth (d)	frame (f)
HD 310	187 /8.4	328 /13.3	54 /2.3	231 /9.1
HD 400	187 /8.4	368 /14.7	54 /2.3	268 /10.5



Part number:	Article number:	Packaging:
HD 310	AC1000 (with PRD) AB1000 (41001 for US)	10/12/25 per Box (12 per Box for US)
HD 400	AC2000 (with PRD) AB2000	10/12/25 per Box

Matching MIXPAC™ cartridges

Compatible cartridges



310mL Plastic Cartridge



400mL Plastic Cartridge

	mm	inch		mm	inch
a	215.0	8.46	a	250.0	9.84
b	$\varnothing 50.0$	$\varnothing 1.97$	b	$\varnothing 50.0$	$\varnothing 1.97$

Conversion kits

-

Matching accessories

Nozzle extension / Twisty nozzle on pages 90-95.