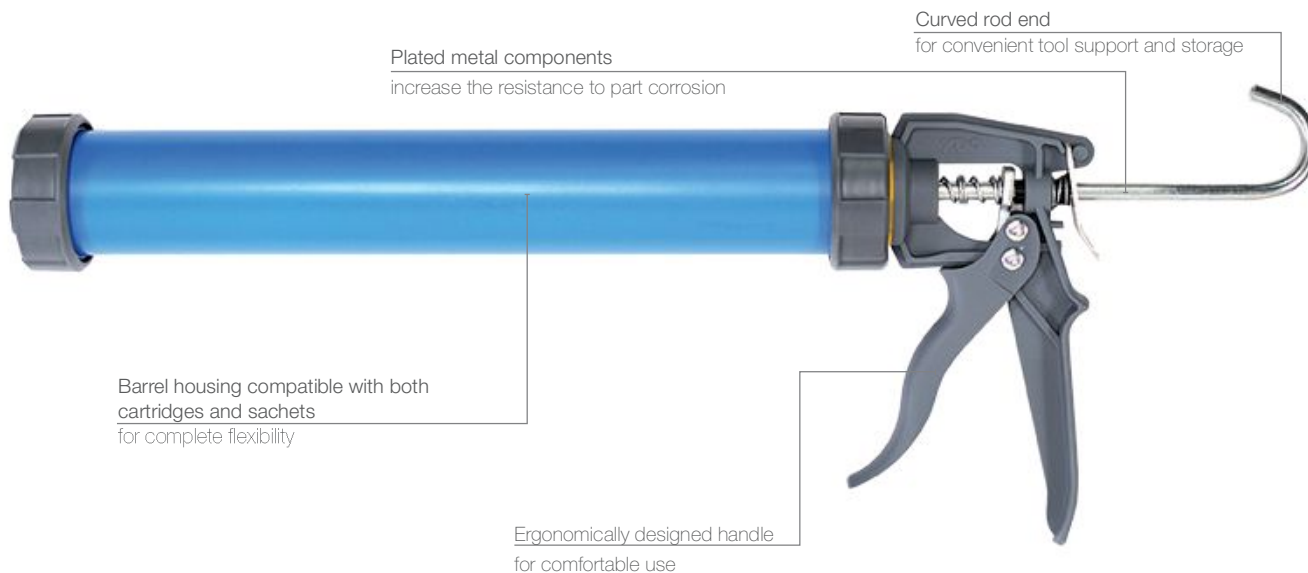




COX™ 1-Component Dispenser

MidiFlow™ Combi

A 1-component manual bead dispenser for 310/400mL cartridges and 310/400/600mL sachets.



Sulzer | 1-Component COX Dispenser | 14

Model shown: MidiFlow Combi 600mL

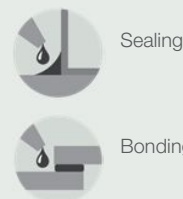
Product advantages

- Ergonomically designed handle for comfortable use
- Barrel housing compatible with both cartridges and sachets for complete flexibility
- Curved rod end for convenient tool support and storage
- Plated metal components increase the resistance to part corrosion

Customer benefits

- Lightweight highly durable
- Surface hardened catch plate and rod design maintains high material output
- Wear compensation sleeve for increased durability
- Smooth trigger operation

Applications



Product by range

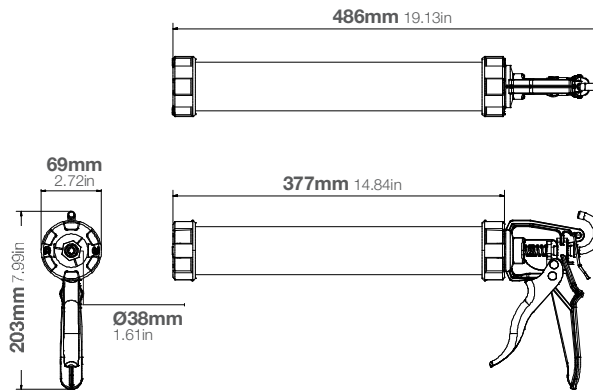


The **MidiFlow Combi** range offers a fully interchangeable dispenser allowing the user complete flexibility between sealant systems.

Specifications

- Weight: 0.58kg / 1.3lbs
- Barrel Length: 377mm / 14.84in
- Maximum Thrust: 1.5kN
- Handle Material: Glass Reinforced Nylon
- Barrel Material: ABS Polymer
- Tool Component Approvals: REACH
- Cartridge Capacity: 310mL (10.5oz), 400mL (13.5oz)
- Sachet Capacity: 310mL (10.5oz), 400mL (13.5oz) 600mL (20.3oz)
- Mechanical Advantage Ratio: (10:1)
- Standard Color: Blue/Grey
- Nozzle Dimension: \varnothing 38mm / 1.5in
- Customized versions on demand

Dimensions



Part number:

Combi

Article number:

MG1601 (31001-600 for US)

Packaging:

10 per Box (3 per Box for US)

Matching MIXPAC™ cartridges

Compatible cartridges and sachets



310mL Plastic Cartridge



310mL Sachet



400mL Plastic Cartridge



400mL Sachet



600mL Sachet

	mm	inch
a	215.0	8.46
b	\varnothing 50.0	\varnothing 1.97

	mm	inch
a	220.0	8.66
b	\varnothing 50.0	\varnothing 1.97

	mm	inch
a	250.0	9.84
b	\varnothing 50.0	\varnothing 1.97

	mm	inch
a	258.0	10.16
b	\varnothing 50.0	\varnothing 1.97

	mm	inch
a	335.0	13.19
b	\varnothing 50.0	\varnothing 1.97

Conversion kits

-

Matching accessories

Nozzle extension/twisty nozzle/yellow cone / white cone nozzle on pages 90-95.