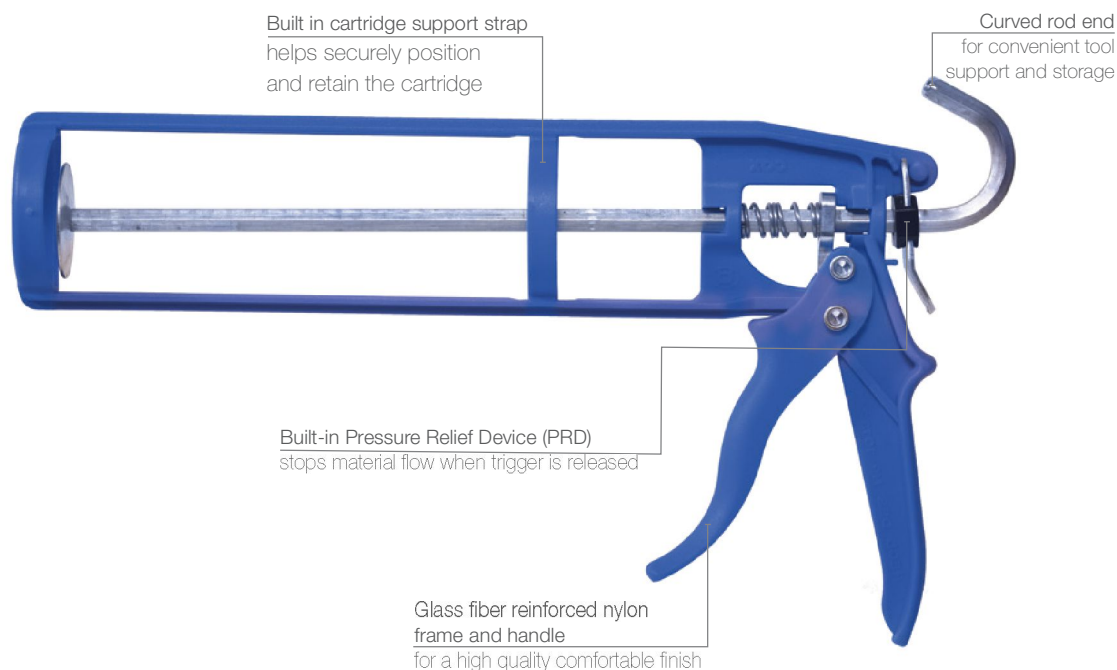




COX™ 1-Component Dispenser

EasiFlow™ HD Lite

A 1-component manual bead dispenser for 310mL cartridges.



Sulzer | 1-Component COX Dispenser | 8

Model shown: EasiFlow HD Lite 310mL

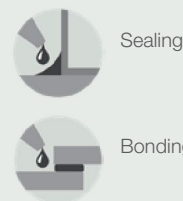
Product advantages

- Built-in Pressure Relief Device (PRD) to stop material flow when trigger is released
- Glass fiber reinforced nylon frame and handle for a high quality comfortable finish
- Built in cartridge support strap helps securely position and retain the cartridge
- Curved rod end for convenient tool support and storage

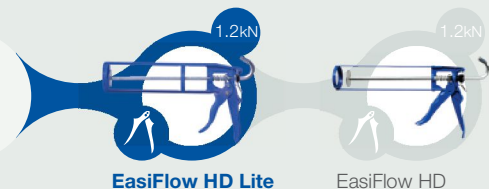
Customer benefits

- Lightweight and highly durable
- For use with low viscosity materials
- 7:1 trigger ratio ensures high yield per trigger pull
- Spike for piercing barrier in cartridges - US only

Applications



Product by range

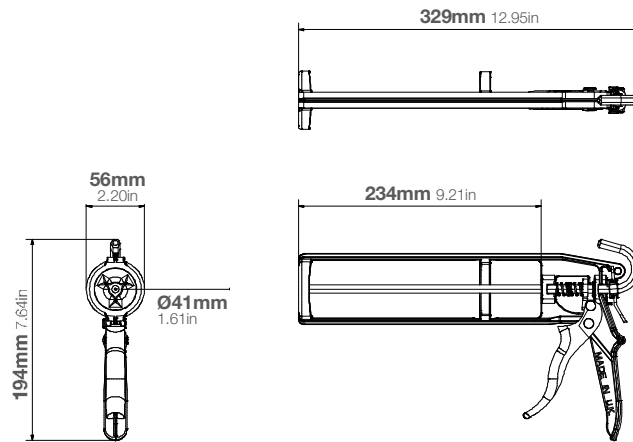


The **EasiFlow HD Lite** range of manual dispensers is designed for use with low viscosity sealants and adhesives.

Specifications

- Weight: 0.32kg / 0.71lbs
- Frame Length: 234mm / 9.21in
- Maximum Thrust: 1.2kN
- Pressure Relief Device (PRD)
- Handle Material: Glass Fiber Reinforced Nylon
- Frame Material: Glass Fiber Reinforced Nylon
- Tool Component Approvals: REACH
- Cartridge Capacity: 310mL / 10.5oz
- Mechanical Advantage Ratio: (7:1)
- Standard Color: Blue
- Nozzle Dimension: $\varnothing 41\text{mm}$ / 1.61in
- Customized versions on demand

Dimensions



Part number:

HD Lite

Article number:

AS1025 (21001 for US)

Packaging:

25 units per Box (12 per Box for US)

Matching MIXPAC™ cartridges

-

Compatible cartridges



310mL Plastic Cartridge

	mm	inch
a	215.0	8.46
b	$\varnothing 50.0$	$\varnothing 1.97$

Conversion kits

-

Matching accessories

Nozzle extension / Twisty nozzle on pages 90-95.